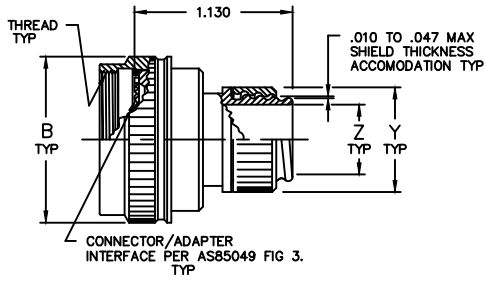




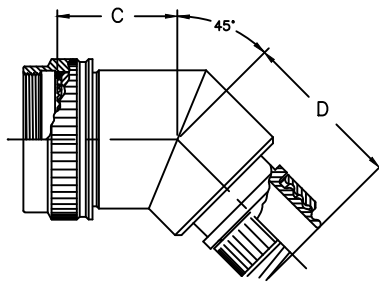
ELECTRO ADAPTER INC.
 CHATSWORTH, CALIFORNIA, USA 91311
 PHONE (818) 998-1198
 FAX (818) 709-5773

**SECTION 1 - MECHANICAL
 ADAPTER, SHRINK BOOT,
 LAMP BASE, SHIELD TERMINATION FOR
 MIL-DTL-38999, SERIES III & IV**

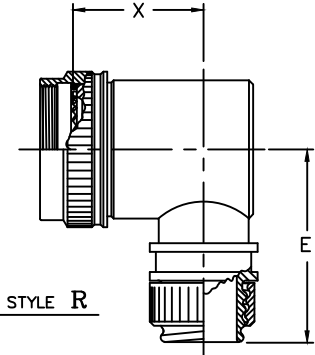
4840
 SHEET 1 OF 1



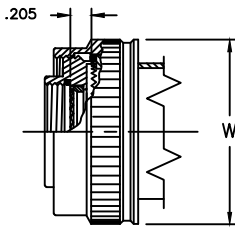
STYLE S



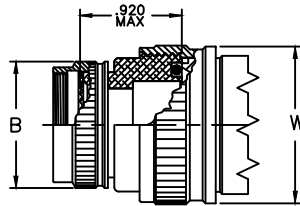
STYLE A



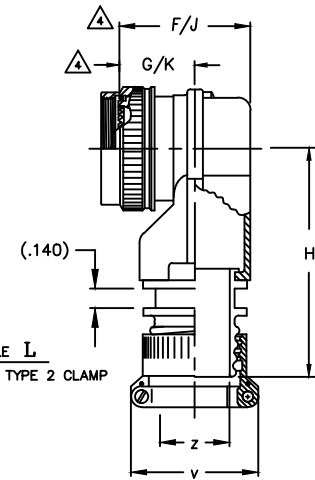
STYLE R



FOR STYLE L Δ
 CONFIG FOR 2 PIECE



CONFIG FOR 2 PIECE Δ



STYLE L
 SHOWN WITH TYPE 2 CLAMP

Example Part Number

4840R22141-55S

ADAPTER SERIES
 STRAIGHT, 45° & 90° SHRINK BOOT, SHIELD TERMINATING

CONNECTOR CODE
 MIL-DTL-38999, SER III & IV
 CLASS C, F, K & W
 MIL-38999/20, 24, 25, 40, 44, 46 & 47

ADAPTER STYLE
 S = STRAIGHT ADAPTER
 A = 45° ADAPTER
 R = 90° ADAPTER
 L = LO PRO SPLIT 90°

ADAPTER STYLE
 1 = NUT
 2 = CLAMP

ADD "S" FOR SELF LOCKING COUPLING. OMIT IF NOT REQUIRED Δ

PLATING CODE NUMBER
 03 = CADMIUM, OLIVE DRAB, PER SAE AMS-QQ-P-416, CLASS 3
 55 = CADMIUM, OLIVE DRAB, PER SAE AMS-QQ-P-416, CLASS 3, OVER ELECTROLESS NICKEL PER AMS-C-26074, GRADE B
 56 = ALUMINUM, ELECTROLESS NICKEL PER AMS-C-26074, CLASS 3 OR 4, GRADE A.
 FOR ADDITIONAL FINISH OPTION, SEE CATALOG TABLE 4

ORDER NUMBER	SHELL SIZE		CONNECTOR ORDER NUMBER											
	COM'L	MIL	A	ØB	C	D	E	F	G	J Δ	K Δ	H	MAX. ENTRY SIZE Δ	MAX. ENTRY STYLE L
			METRIC THD CLASS 6H	MAX	MAX	MAX	±.094	MAX	REF.	MAX	REF.	MAX.		
0 8	9	A	M12 X 1.0	.719	.528	1.055	1.125	.704	.344	.968	.715	1.595	04	06
1 0	11	B	M15 X 1.0	.844	.591	1.081	1.188	.755	.300	1.019	.715	1.855	06	06
1 2	13	C	M18 X 1.0	.969	.653	1.106	1.250	.761	.300	1.127	.740	2.045	08	08
1 4	15	D	M22 X 1.0	1.094	.716	1.132	1.312	.861	.310	1.245	.763	2.145	10	08
1 6	17	E	M25 X 1.0	1.219	.809	1.158	1.375	.991	.450	1.485	1.003	2.245	12	08
1 8	19	F	M28 X 1.0	1.344	.997	1.184	1.438	1.202	.636	1.466	.975	2.245	14	10
2 0	21	G	M31 X 1.0	1.469	.997	1.223	1.500	1.211	.570	1.540	.900	2.245	14	14
2 2	23	H	M34 X 1.0	1.594	1.091	1.249	1.562	1.181	.535	1.445	.878	2.245	16	14
2 4	25	J	M37 X 1.0	1.719	1.091	1.262	1.625	1.181	.535	1.535	.878	2.245	20	14

ORDER NUMBER	CABLE ENTRY ORDER NUMBER				
	ØZ	ØY	X	V	ØW
	±.020	±.030	±.094	±.030	MAX
0 2	.125	.406	.418	.781	N/A
0 4	.250	.531	.481	.781	N/A
0 6	.375	.625	.543	.906	.734
0 8	.500	.750	.606	.969	.858
1 0	.625	.875	.668	1.156	1.112
1 2	.750	1.000	.731	1.270	1.345
1 4	.875	1.125	.794	1.406	1.345
1 6	1.000	1.250	.856	1.531	1.594
1 8	1.125	1.375	.918	1.656	1.594
2 0	1.250	1.500	.980	1.781	1.969

NOTES: UNLESS OTHERWISE SPECIFIED

- ASSEMBLY IDENTIFICATION PER MIL-STD-1285.
- MATERIAL : ADAPTER / COMPONENTS - ALUMINUM ALLOY / 300 SERIES SST
 O'RING - SILICONE

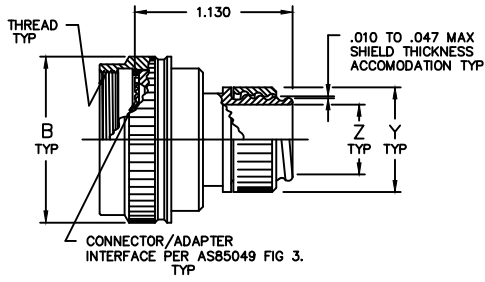
- Δ TWO PIECE ADAPTER WILL BE SUPPLIED WITH ENTRY EXCEEDS MAX ENTRY SIZE
- Δ DIMENSIONS J & K APPLY TO SELF LOCKING OPTION ONLY



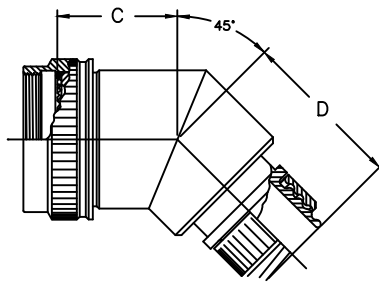
ELECTRO ADAPTER INC.
 CHATSWORTH, CALIFORNIA, USA 91311
 PHONE (818) 998-1198
 FAX (818) 709-5773

**SECTION 1 - MECHANICAL
 ADAPTER, SHRINK BOOT,
 LAMP BASE, SHIELD TERMINATION FOR
 MIL-DTL-38999, SERIES I & II**

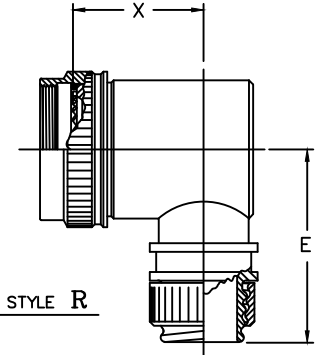
4841
 SHEET 1 OF 1



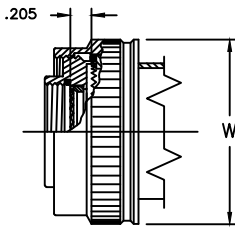
STYLE S



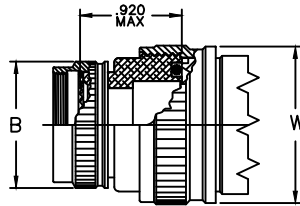
STYLE A



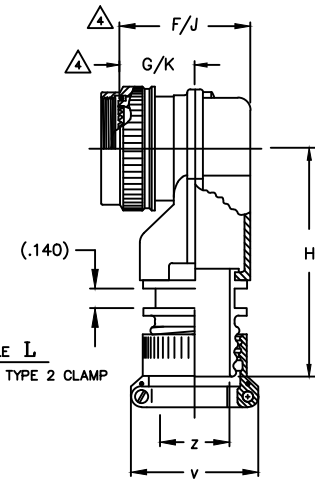
STYLE R



FOR STYLE L Δ
 CONFIG FOR 2 PIECE



CONFIG FOR 2 PIECE Δ



STYLE L
 SHOWN WITH TYPE 2 CLAMP

Example Part Number

4841R22141-55S

ADAPTER SERIES
 STRAIGHT, 45° & 90° SHRINK
 BOOT, SHIELD TERMINATING

CONNECTOR CODE
 MIL-DTL-38999, SER I & II
 CLASS E, P, & T
 MS24766, 67, 72, 73, 74,
 79, 80, 81, 84, 97,
 MS27652, 53 & 56

ADAPTER STYLE
 S = STRAIGHT ADAPTER
 A = 45° ADAPTER
 R = 90° ADAPTER
 L = LO PRO SPLIT 90°

ADAPTER STYLE
 1 = NUT
 2 = CLAMP

ADD "S" FOR SELF LOCKING COUPLING. OMIT IF NOT REQUIRED Δ

PLATING CODE NUMBER

03 = CADMIUM, OLIVE DRAB, PER SAE AMS-QQ-P-416, CLASS 3
 55 = CADMIUM, OLIVE DRAB, PER SAE AMS-QQ-P-416, CLASS 3
 OVER ELECTROLESS NICKEL PER AMS-C-26074, GRADE B

56 = ALUMINUM, ELECTROLESS NICKEL PER AMS-C-26074,
 CLASS 3 OR 4, GRADE A.
 FOR ADDITIONAL FINISH OPTION, SEE CATALOG TABLE 4

CONNECTOR ORDER NUMBER

ORDER NUMBER	SHELL SIZE		A UNIFIED THD CLASS 2B	ØB MAX	C MAX	D MAX	E ±.094	F MAX	G REF.	J Δ MAX	K Δ REF.	H MAX.	MAX. ENTRY SIZE Δ	MAX. ENTRY STYLE L
	SER I	SER II												
0 8	9	8	.438-28	.598	.528	1.055	1.125	.704	.344	.968	.715	1.595	04	06
1 0	11	10	.562-24	.723	.591	1.081	1.188	.755	.300	1.019	.715	1.855	06	06
1 2	13	12	.688-24	.848	.653	1.106	1.250	.761	.300	1.127	.740	2.045	08	08
1 4	15	14	.812-20	.973	.716	1.132	1.312	.861	.310	1.245	.763	2.145	10	08
1 6	17	16	.938-20	1.098	.809	1.158	1.375	.991	.450	1.485	1.003	2.245	12	08
1 8	19	18	1.062-18	1.224	.997	1.184	1.438	1.202	.636	1.466	.975	2.245	14	10
2 0	21	20	1.188-18	1.348	.997	1.223	1.500	1.211	.570	1.540	.900	2.245	14	14
2 2	23	22	1.312-18	1.473	1.091	1.249	1.562	1.181	.535	1.445	.878	2.245	16	14
2 4	25	24	1.438-18	1.598	1.091	1.262	1.625	1.181	.535	1.535	.878	2.245	20	14

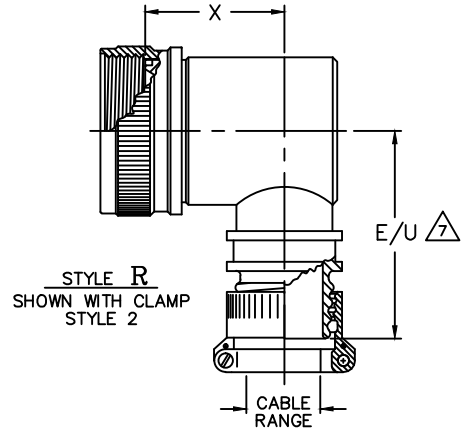
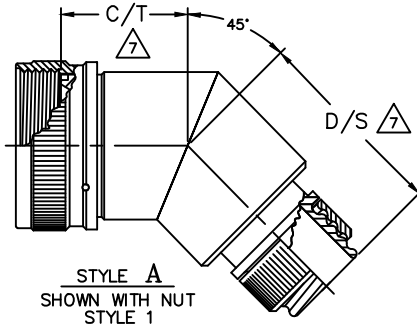
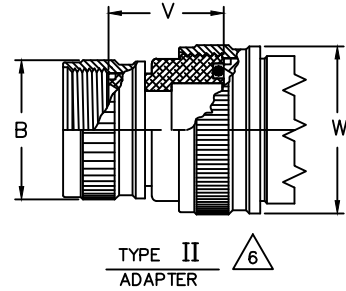
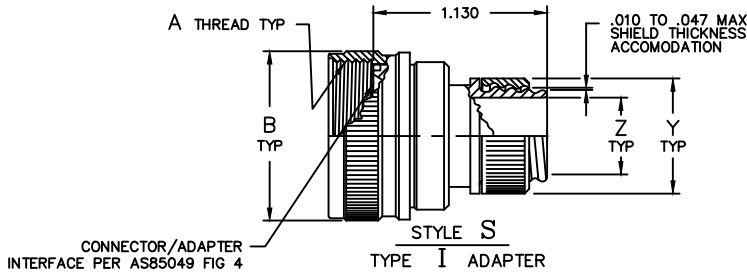
CABLE ENTRY ORDER NUMBER

ORDER NUMBER	ØZ ±.020	ØY ±.030	X ±.094	V ±.030	ØW MAX
0 2	.125	.406	.418	.781	N/A
0 4	.250	.531	.481	.781	N/A
0 6	.375	.625	.543	.906	.734
0 8	.500	.750	.606	.969	.858
1 0	.625	.875	.668	1.156	1.112
1 2	.750	1.000	.731	1.270	1.345
1 4	.875	1.125	.794	1.406	1.345
1 6	1.000	1.250	.856	1.531	1.594
1 8	1.125	1.375	.918	1.656	1.594
2 0	1.250	1.500	.980	1.781	1.969

NOTES: UNLESS OTHERWISE SPECIFIED

- ASSEMBLY IDENTIFICATION PER MIL-STD-1285.
- MATERIAL : ADAPTER / COMPONENTS - ALUMINUM ALLOY / 300 SERIES SST
 O'RING - SILICONE

- Δ TWO PIECE ADAPTER WILL BE SUPPLIED WITH ENTRY EXCEEDS MAX ENTRY SIZE
- Δ DIMENSIONS J & K APPLY TO SELF LOCKING OPTION ONLY



Example Part Number
4854R22141-55



ADAPTER SERIES
 STRAIGHT, 45° & 90° SHRINK
 BOOT, SHIELD TERMINATING

CONNECTOR CODE
 MIL-C-5015, 3400 SER,
 MIL-C-26482, SER II
 MIL-C-81703, SER III,
 MIL-C-83723, SER III
 NAS 1599

ADAPTER STYLE
 S = STRAIGHT ADAPTER
 A = 45° ADAPTER
 R = 90° ADAPTER

NUT STYLE
 1 = NUT
 2 = CLAMP

PLATING CODE NUMBER
 CODE 03 - CADMIUM, OLIVE DRAB, PER QQ-P-416, TYPE II, CL 3
 CODE 51 - ELECTROLESS NICKEL PER MIL-C-26074
 CLASS 3 OR 4, GRADE B
 CODE 55 - CADMIUM, OLIVE DRAB, PER QQ-P-416, CL 3
 OVER ELECTROLESS NICKEL PER MIL-C-26074, GRADE B
 FOR ADDITIONAL FINISH OPTION, SEE CATALOG TABLE 4

CONNECTOR ORDER NUMBER								
ORDER NUMBER	SHELL SIZE		A UNIFIED THD CLASS 2B	~oB MAX	C MAX	D MAX	E ±.094	AVAILABLE ENTRY SIZE $\triangle 6$
	$\triangle 3$	$\triangle 4$						
0 3	3		.562-24	.669	$\triangle 3$	$\triangle 3$	1.125	02 & 04
0 8		8&8S	.500-20	.617	.544	1.630	1.125	02 & 04
1 0		10,10S&10SL	.625-24	.734	.607	1.690	1.156	02 THRU 06
1 2	7	12&12S	.750-20	.858	.669	1.750	1.219	04 THRU 08
1 4	12	14&14S	.875-20	.984	.732	1.840	1.281	04 THRU 08
1 6	19	16&16S	1.000-20	1.112	.825	1.950	1.344	06 THRU 10
1 8	27	18	1.062-18	1.218	1.013	2.140	1.375	06 THRU 12
2 0	37	20	1.188-18	1.345	1.013	2.140	1.438	08 THRU 14
2 2		22	1.312-18	1.468	1.107	2.290	1.500	08 THRU 16
2 4		24	1.438-18	1.593	1.107	2.290	1.562	10 THRU 18
2 8		28	1.750-18	1.969	1.107	2.340	1.719	10 THRU 20
3 2		32	2.000-18	2.219	1.294	2.440	1.844	10 THRU 20
3 6		36	2.250-16	2.469	1.325	2.530	1.969	10 THRU 20
4 0		40	2.500-16	2.719	$\triangle 3$	$\triangle 3$	2.094	10 THRU 20
4 4		44	2.750-16	2.969	$\triangle 3$	$\triangle 3$	2.219	10 THRU 20
4 8		48	3.000-16	3.219	$\triangle 3$	$\triangle 3$	2.344	10 THRU 20
6 1	61		1.500-18	1.653	$\triangle 3$	$\triangle 3$	1.594	10 THRU 18

CABLE ENTRY ORDER NUMBER										
ORDER NUMBER	~oZ ±.010	~oY ±.031	X MAX	~oW MAX	V MAX	U ±.094	T MAX	S MAX	CABLE RANGE	
									MAX	MIN
0 2	.125	.406	.562	N/A	.750	N/A	N/A	N/A	N/A	N/A
0 4	.250	.531	.562	N/A	.750	N/A	N/A	N/A	.250	.188
0 6	.375	.625	.625	.734	.750	1.156	.607	1.690	.375	.291
0 8	.500	.750	.688	.858	.750	1.219	.669	1.750	.500	.375
1 0	.625	.875	.750	1.112	.750	1.344	.825	1.950	.625	.501
1 2	.750	1.000	.812	1.218	.750	1.375	1.013	2.140	.750	.562
1 4	.875	1.125	.875	1.345	.750	1.438	1.013	2.140	N/A	N/A
1 6	1.000	1.250	.938	1.468	.750	1.500	1.107	2.290	1.000	.688
1 8	1.125	1.375	1.000	1.593	.750	1.562	1.107	2.290	1.125	.750
2 0	1.250	1.500	1.062	1.969	.906	1.719	1.107	2.340	1.250	.812
2 2	1.375	1.625	1.125	1.969	.906	1.719	1.107	2.340	N/A	N/A

- $\triangle 8$ ADD LETTER "R" TO END OF P/N FOR CRUSH COUPLING OPTION.
- $\triangle 7$ DIMENSIONS "U", "T" & "S" APPLIES TO TYPE II ADAPTER.
- $\triangle 6$ TYPE II ADAPTER SUPPLIED WHEN ENTRY SIZE EXCEEDS AVAILABLE ENTRY.
- $\triangle 5$ CONSULT FACTORY FOR DIMENSIONS INDICATED.
- $\triangle 4$ SHELL SIZES PER MIL-C-5015, 3400 SERIES, MIL-C-26482, SER II MIL-C-83723, SERIES I & III, & NAS1599.
- $\triangle 3$ SHELL SIZES PER MIL-C-81703.

2. MATERIAL: ADAPTER COPONENTS ~ ALUMINUM ALLOY.
1. ASSEMBLY IDENTIFICATION PER MIL-STD-130.

NOTES: UNLESS OTHERWISE SPECIFIED.