

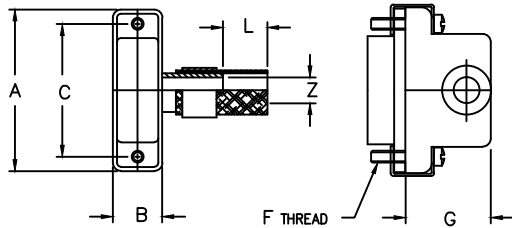


ELECTRO ADAPTER INC.
 CHATSWORTH, CALIFORNIA, USA 91311
 PHONE (818) 998-1198
 FAX (818) 709-5773

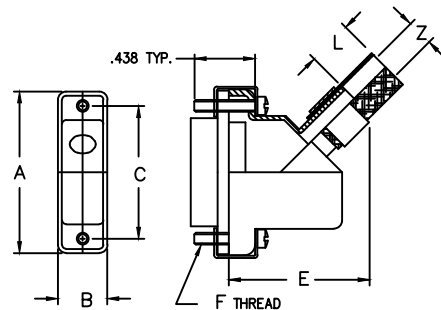
**SECTION 3 - RECTANGULAR ADAPTER
 MAGNEFORMED SHIELD TERMINATION
 STRAIGHT, 45°, & 90° ENTRY
 MIL - DTL - 83513, /1, /2, /3, & /4, MICRO D**

901-866

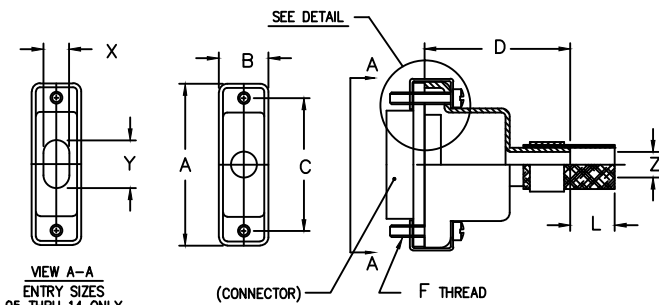
SHEET 1 OF 1



STYLE R



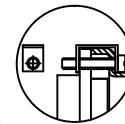
STYLE A



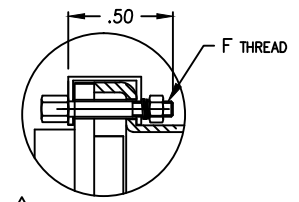
STYLE S



3. NYLON WASHER
SEE PART NUMBER



4. RETENTION CLIP
SEE PART NUMBER



6. FEMALE JACK POST
SEE PART NUMBER

Example Part Number

901-866S25030655 * C

BASIC ADAPTER NO.

ADAPTER STYLE
 S = STRAIGHT ADAPTER
 A = 45° ADAPTER
 R = 90° ADAPTER

ADD 'C' FOR ADAPTER SUPPLIED WITH SCREW
 RETENTION CLIPS, OMIT IF NOT REQUIRED. 3.

CONNECTOR ORDER NUMBER								
SHELL SIZE	A ±.010	B ±.010	C ±.010	D ±.020	E MAX	F UNIFIED THD	G ±.031	MAX ENTRY
0 9	.775	.360	.565	.750	1.00	2-56UNC-2A	.607	06
1 5	.925	.360	.715	.880	1.03	2-56UNC-2A	.643	08
2 1	1.075	.360	.865	1.000	1.05	2-56UNC-2A	.677	08
2 5	1.175	.360	.965	1.060	1.09	2-56UNC-2A	.718	08
3 1	1.325	.360	1.115	1.120	1.13	2-56UNC-2A	.726	14
3 7	1.475	.360	1.265	1.160	1.16	2-56UNC-2A	.744	14
5 1	1.425	.400	1.215	1.190	1.25	2-56UNC-2A	.828	14
1 0 0	2.160	.450	1.800	1.250	1.32	4-40UNC-2A	.948	14

CABLE ENTRY ORDER NUMBER			
ENTRY NUMBER	ØZ ±.010	Y ±.010	X ±.010
0 1	.125	N/A	N/A
0 2	.156	N/A	N/A
0 3	.188	N/A	N/A
0 4	.234	N/A	N/A
0 5	N/A	.312	.220
0 6	N/A	.375	.220
0 7	N/A	.469	.220
0 8	N/A	.500	.250
1 4	N/A	.875	.281

PLATING CODE NUMBER
 CODE 55 - CADMIUM PER QQ-P-416, TYPE II, CLASS 3, OVER ELECTROLESS NICKEL PER MIL-C-26074 CLASS 3 OR 4, GRADE B.
 CODE 56 - ELECTROLESS NICKEL, PER MIL-C-26074, CLASS 4, GRADE A. FOR ADDITIONAL FINISH OPTIONS, SEE CATALOG TABLE 4.

LENGTH CODE "L"
 LENGTH IN 1 INCH INCREMENTS
 6 INCH MINIMUM ORDER LENGTH
 00 - IF SHIELD NOT REQUIRED

JACKSCREW TYPE
 F = 2 MALE FILLISTER
 H = 2 MALE HEX SOCKET
 J = 2 FEMALE JACKPOST
 OMIT IF JACKSCREWS NOT REQUIRED 3.

NOTES: UNLESS OTHERWISE SPECIFIED.

- ASSEMBLY IDENTIFICATION PER MIL-STD-1285.
 - MATERIAL: ADAPTER - ALUMINUM ALLOY.
BRAID - TINNED COPPER.
HARDWARE - SST
- 3. SCREWS CAPTIVATED WITH NYLON WASHERS STANDARD, NOT SUPPLIED WITH 'C' OPTION.
 - 4. ENTRY SIZES 05 THRU 14 TO BE ELLIPTICAL ENTRIES AND SHIELD TERMINATION BY BANDING ONLY.
 - 5. CONSULT FACTORY FOR ADAPTERS THAT MATE WITH /6, /7, /8 & /9 CLASS P (PLASTIC SHELL CONNECTORS).
 - 6. JACK POST SUPPLIED WITH 2 FLAT WASHERS, 1 LOCK WASHER AND 1 HEX NUT.