

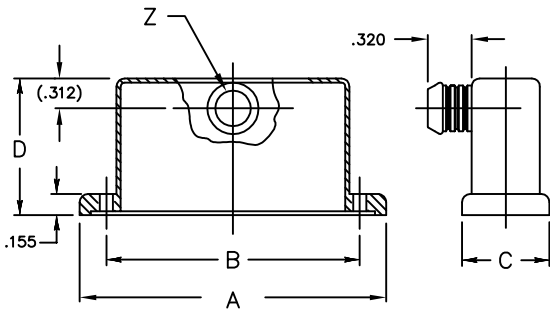


ELECTRO ADAPTER, INC.
 CHATSWORTH, CALIFORNIA, USA 91311
 PHONE: (818) 998-1198
 FAX: (818) 709-5773
 WEB SITE: www.electro-adapter.com

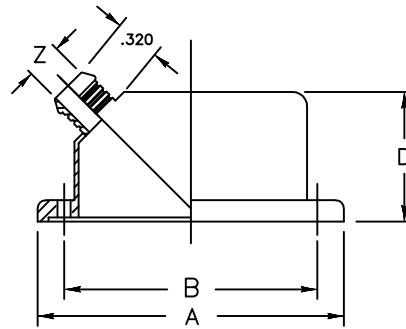
RECTANGULAR BACKSHELL, EMI/RFI,
 FOR MIL-DTL-24308, D-SUB
 PANELMOUNT, BAND TERMINATION,
 STRAIGHT ENTRY, 45°, 90° SIDE, 90° FRONT

SPECIFICATION CONTROL DRAWING

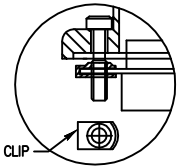
901-813



STYLE F

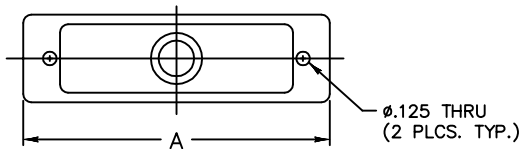


STYLE A

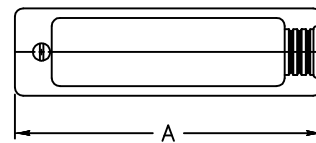


STAINLESS STEEL CLIP

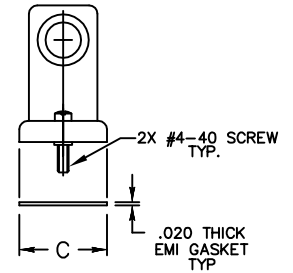
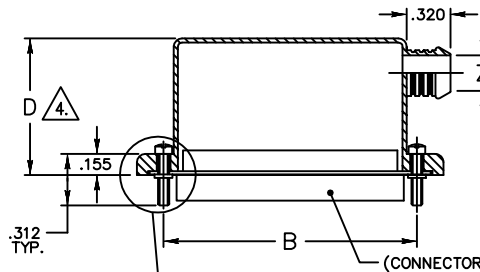
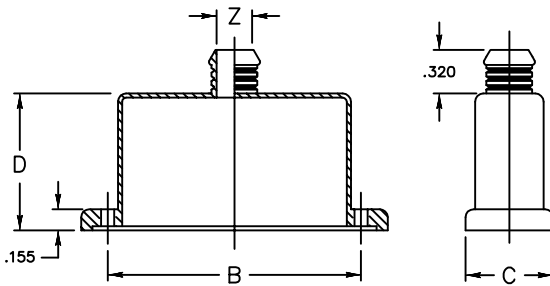
SEE EXAMPLE PART NUMBER
 'K' OPTION SOCKET SCREW
 AND RETAINING CLIPS



STYLE S



STYLE R
 SHOWN WITH SCREWS



NYLON WASHER ³
 SEE PART NUMBER

Example Part Number

901-813S1504156*

BASIC ADAPTER NO.

ADAPTER STYLE
 S = STRAIGHT ADAPTER
 R = 90° SIDE ADAPTER
 A = 45° ADAPTER
 F = 90° FRONT ADAPTER

JACKSCREW TYPE
 F = 2 MALE FILLISTER
 H = 2 MALE HEX SOCKET ³
 J = 2 FEMALE JACKPOST
 K = CLIP AND MALE HEX SOCKET
 LESS WASHERS
 L = LESS GASKET
 OMIT IF JACKSCREWS & WASHERS
 NOT REQUIRED

CONNECTOR SHELL SIZE			
SHELL SIZE	A ±.030	B ±.005	C ±.030
9	1.366	.984	.640
15	1.694	1.312	.640
25	2.241	1.852	.640
37	2.882	2.500	.640
50	2.778	2.406	.750
104	2.882	2.500	.812

ENTRY CODE	
ENTRY CODE	ØZ ±.005
0 1	.160
0 2	.190
0 3	.220
0 4	.260
0 5	.275
0 6	.285
0 7	.350
0 8	.490

HEIGHT CODE	
HEIGHT CODE	D ±.03
BLANK	.785 ⁴
0	1.000
1	1.25
2	1.50
3	1.75
4	2.00

PLATING CODE NUMBER
 CODE 56 - ELECTROLESS NICKEL, PER SAE
 AMS-C-26074, WITH IRIDITE
 CONVERSION.
 FOR ADDITIONAL FINISH, SEE CATALOG TABLE 4

NOTES: UNLESS OTHERWISE SPECIFIED.

- ASSEMBLY IDENTIFICATION PER MIL-STD-1285.
- MATERIAL: BACKSHELL: ALUMINUM ALLOY.
 GASKET: EMI: ALUMINUM WEAVE-NEOPRENE IMPREGNATED.

³ SCREWS ARE CAPTIVATED WITH NYLON WASHERS.

⁴ MIN HEIGHT CODE IS '0' FOR 90° BACKSHELLS.