

Example Part Number

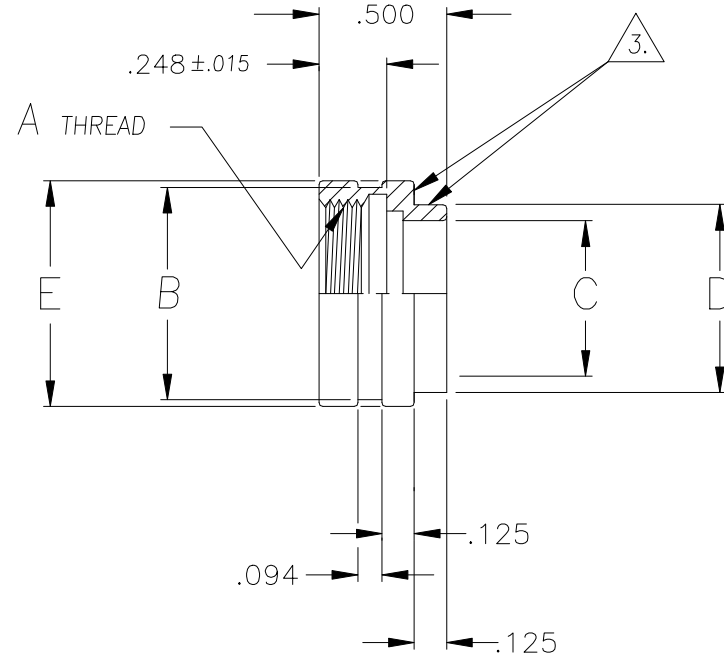
902-16540-16

BASIC PART NUMBER

CONNECTOR CODE

ORDER NUMBER	SHELL SIZE		A METRIC THD. CLASS 6H	ØB ±.010	ØC ±.015	ØD ±.015	ØE ±.010
	COM'L	MIL					
0 8	9	A	M12 X 1.0	.625	.312	.438	.688
1 0	11	B	M15 X 1.0	.750	.438	.562	.812
1 2	13	C	M18 X 1.0	.875	.562	.688	.938
1 4	15	D	M22 X 1.0	1.000	.688	.812	1.062
1 6	17	E	M25 X 1.0	1.125	.812	.938	1.188
1 8	19	F	M28 X 1.0	1.250	.938	1.062	1.312
2 0	21	G	M31 X 1.0	1.375	1.062	1.188	1.438
2 2	23	H	M34 X 1.0	1.500	1.188	1.312	1.562
2 4	25	J	M37 X 1.0	1.625	1.312	1.438	1.688

PART NUMBER			
902-16540			
REVISIONS			
LTR	ECO NUMBER	DRAWN	APPROVED
A	20991	C.F. 07-22-05	G.F. 07-22-05




NOTES: UNLESS OTHERWISE SPECIFIED

1. ASSEMBLY IDENTIFICATION PER MIL-STD-1285.

2. MATERIAL: ALUMINUM ALLOY

3. PLATING: CADMIUM, OLIVE DRAB OVER ELECTROLESS NICKEL, PER QQ-P-416 & MIL-C-26074. (SURFACES INDICATED TO BE NICKEL PLATED ONLY)

The information disclosed herein is the property of, and a proprietary item originated by ELECTRO ADAPTER, INC. who reserves all patent, proprietary design, use, sale, manufacturing and reproduction rights thereto; except for uses expressly granted to the United States Government and items which are vendor parts, disclosure shall not be made without written consent from ELECTRO ADAPTER, INC.		DRAWN C.Fowler	DATE 5-18-05	 <b>ELECTRO ADAPTER, INC.</b> CHATSWORTH, CA. 91311-6189
UNLESS OTHERWISE SPECIFIED DIMENSIONS ARE IN INCHES		CHKD G. FISH	DATE 5/20/05	
TOLERANCES: ANGLES      DECIMALS ± 2°      .XX = ± .06 .XXX = ± .031		APVD	DATE	DRAWING TITLE  ADAPTER, MOLDING
DO NOT SCALE DRAWING		5/20/05		SIZE A    CAGE CODE 31461    DRAWING NUMBER 902-16540    REV. A
		RELEASED	DATE	SCALE: NONE    0\SALES\902\16540    SHEET 1 OF 1

UNCONTROLLED COPY

Example Part Number

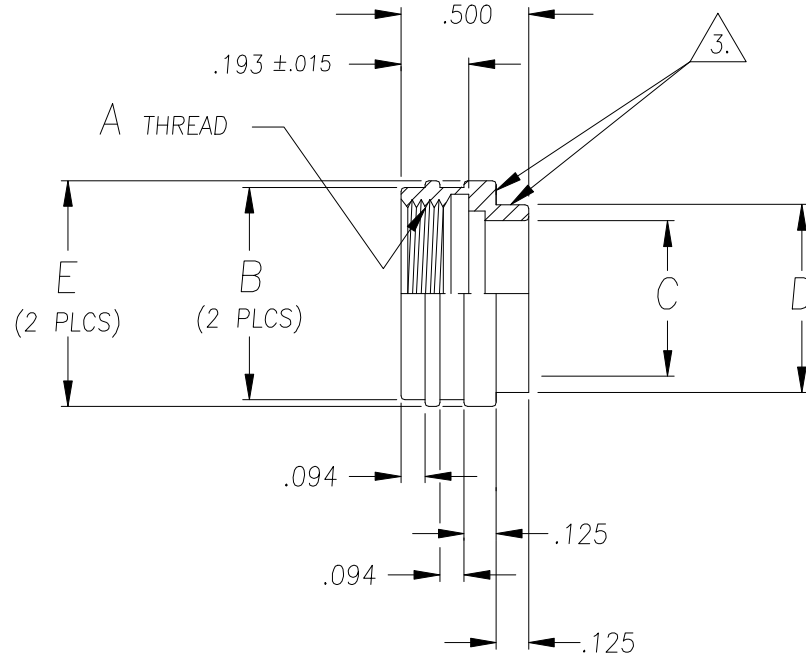
902-16541-16

BASIC PART NUMBER

CONNECTOR CODE

ORDER NUMBER	SHELL SIZE		A UNIFIED THD. CLASS 2B	ØB ±.010	ØC ±.015	ØD ±.015	ØE ±.010
	SER. II	SER. I					
0 8	8	9	.438-28	.562	.312	.438	.625
1 0	10	11	.562-24	.688	.438	.562	.750
1 2	12	13	.688-24	.812	.562	.688	.875
1 4	14	15	.812-20	.938	.688	.812	1.000
1 6	16	17	.938-20	1.062	.812	.938	1.125
1 8	18	19	1.062-18	1.188	.938	1.062	1.250
2 0	20	21	1.188-18	1.312	1.062	1.188	1.375
2 2	22	23	1.312-18	1.438	1.188	1.312	1.500
2 4	24	25	1.438-18	1.562	1.312	1.438	1.625

PART NUMBER			
902-16541			
REVISIONS			
LTR	ECO NUMBER	DRAWN	APPROVED
A	20966	C.F. 6-3-05	G.F. 6-3-05
B	20991	C.F. 07-22-05	G.F. 07-22-05




NOTES: UNLESS OTHERWISE SPECIFIED

1. ASSEMBLY IDENTIFICATION PER MIL-STD-1285.

2. MATERIAL: ALUMINUM ALLOY

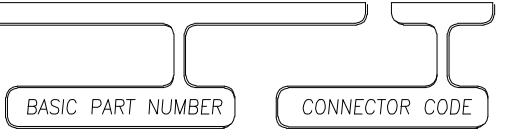
3. PLATING: CADMIUM, OLIVE DRAB OVER ELECTROLESS NICKEL, PER QQ-P-416 & MIL-C-26074. (SURFACES INDICATED TO BE NICKEL PLATED ONLY)

The information disclosed herein is the property of, and a proprietary item originated by ELECTRO ADAPTER, INC. who reserves all patent, proprietary design, use, sale, manufacturing and reproduction rights thereto; except for uses expressly granted to the United States Government and items which are vendor parts, disclosure shall not be made without written consent from ELECTRO ADAPTER, INC. UNLESS OTHERWISE SPECIFIED DIMENSIONS ARE IN INCHES TOLERANCES: ANGLES      DECIMALS ± 2°      .XX = ± .06 .XXX = ± .031 DO NOT SCALE DRAWING	DRAWN C.Fowler	DATE 5-23-05	 <b>ELECTRO ADAPTER, INC.</b> CHATSWORTH, CA. 91311-6189
	CHKD G. FISH	DATE 5/23/05	
	APVD	DATE 5/23/05	SIZE A CAGE CODE 31461 DRAWING NUMBER 902-16541 REV. B
	RELEASED	DATE	SCALE: NONE 0\SALES\902\16541 SHEET 1 OF 1

UNCONTROLLED COPY

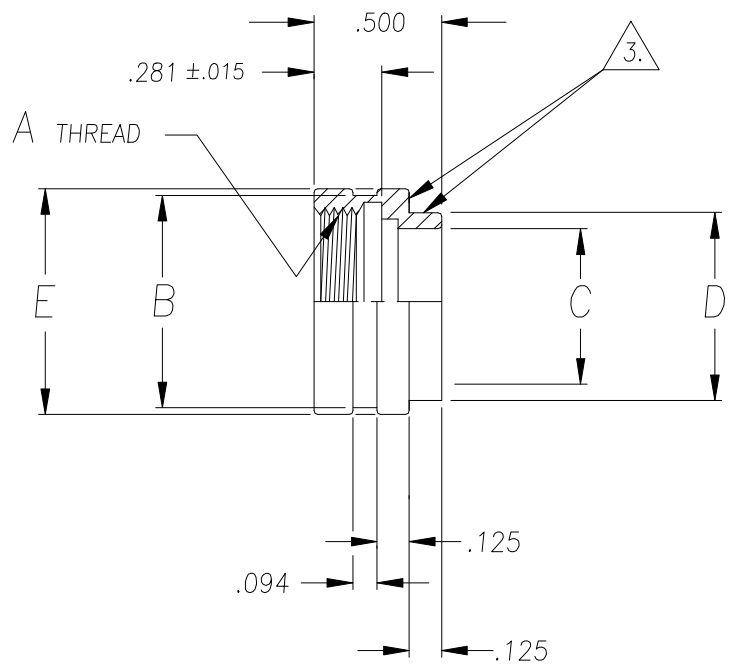
Example Part Number

902-16554-16




PART NUMBER			
902-16554			
REVISIONS			
LTR	ECO NUMBER	DRAWN	APPROVED
A	20991	C.F. 07-22-05	G.F. 07-22-05

ORDER NUMBER	SHELL SIZE		A UNIFIED THD. CLASS 2B	ØB ±.010	ØC ±.015	ØD ±.015	ØE ±.010
	4	5					
0 3	3	-	.562-24	.688	.438	.562	.750
0 8	-	8,8S	.500-20	.625	.375	.500	.688
1 0	-	10,10S,10SL	.625-24	.750	.500	.625	.812
1 2	7	12,12S	.750-20	.875	.625	.750	.938
1 4	12	14,14S	.875-20	1.000	.750	.875	1.062
1 6	19	16,16S	1.000-20	1.125	.875	1.000	1.188
1 8	27	18	1.062-18	1.188	.938	1.062	1.250
2 0	37	20	1.188-18	1.312	1.062	1.188	1.375
2 2	-	22	1.312-18	1.438	1.188	1.312	1.500
2 4	-	24	1.438-18	1.562	1.312	1.438	1.625



- NOTES: UNLESS OTHERWISE SPECIFIED
- ASSEMBLY IDENTIFICATION PER MIL-STD-1285.
  - MATERIAL: ALUMINUM ALLOY
  - PLATING: CADMIUM, OLIVE DRAB OVER ELECTROLESS NICKEL, PER QQ-P-416 & MIL-C-26074. (SURFACES INDICATED TO BE NICKEL PLATED ONLY)
  - SHELL SIZE PER MIL-C-81703 (SERIES 3).
  - SHELL SIZE PER MIL-C-5015H (3400 SERIES) MIL-C-26482 (SERIES 2) MIL-C-83723 (SERIES I & II) & NAS1599.

The information disclosed herein is the property of, and a proprietary item originated by ELECTRO ADAPTER, INC. who reserves all patent, proprietary design, use, sale, manufacturing and reproduction rights thereto; except for uses expressly granted to the United States Government and items which are vendor parts, disclosure shall not be made without written consent from ELECTRO ADAPTER, INC.		DRAWN C.Fowler	DATE 5-23-05	 <b>ELECTRO ADAPTER, INC.</b> CHATSWORTH, CA. 91311-6189
UNLESS OTHERWISE SPECIFIED DIMENSIONS ARE IN INCHES		CHKD G. FISH	DATE 5/23/05	
TOLERANCES: ANGLES      DECIMALS ± 2'      .XX = ± .06 .XXX = ± .031		APVD	DATE	DRAWING TITLE  ADAPTER, MOLDING
DO NOT SCALE DRAWING		5/23/05		SIZE A    CAGE CODE 31461    DRAWING NUMBER 902-16554    REV. A
		RELEASED	DATE	SCALE: NONE    0\SALES\902\16554    SHEET 1 OF 1

UNCONTROLLED COPY