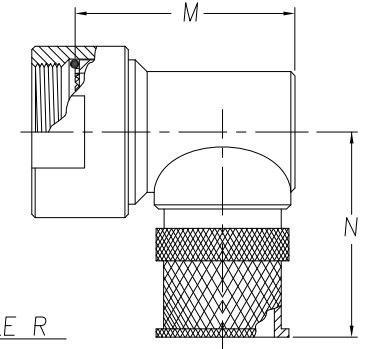
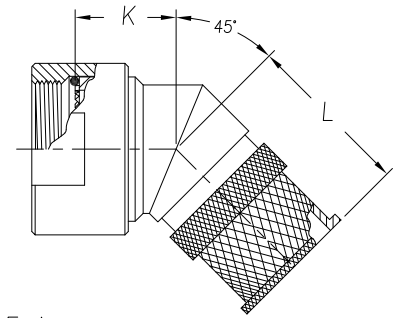
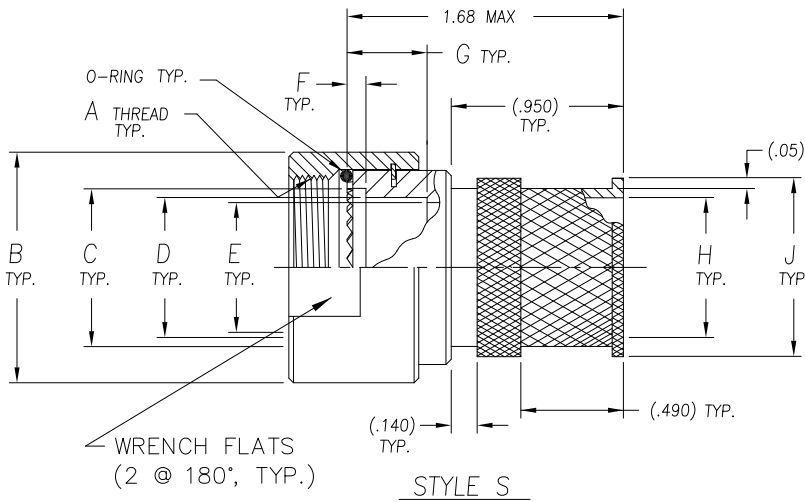




ELECTRO ADAPTER, INC.
 CHATSWORTH, CALIFORNIA, USA 91311
 PHONE: (818) 998-1198
 FAX: (818) 709-5773

SHIELD ADAPTER FOR MIL-DTL-38999,
 SERIES I & II

SPECIFICATION CONTROL DRAWING
901-425



Example Part Number

901-425S210

BASIC ADAPTER NUMBER

ADAPTER STYLE

STYLE S = STRAIGHT ADAPTER
 STYLE A = 45° ADAPTER
 STYLE R = 90° ADAPTER

PLATING CODE NUMBER

10 = PASSIVATE, PER SAE-AMS-QQ-P-35
 12 = BLACK, ZINC NICKEL, TYPE II, CLASS 2
 55 = CADMIUM, OLIVE DRAB, PER SAE-AMS-QQ-P-416, TYPE II, CLASS 3,
 OVER ELECTROLESS NICKEL PER AMS-C-26074, CLASS 3 OR 4, GRADE B
 56 = ELECTROLESS NICKEL PER SAE AMS-2404F, CLASS 3 OR 4, GRADE A.

FOR ADDITIONAL FINISH OPTIONS, SEE CATALOG TABLE 4.

NOTES:

- ASSEMBLY IDENT. PER MIL-STD-1285.
- MATERIAL: COMPONENTS - ALUMINUM ALLOY, 300 SERIES STAINLESS STEEL.
- SEE DRAWING NUMBER 901-436 FOR SHIELD TERMINATION SPRING. (TACOM DWG#12347630)
- QUALIFIED TO TACOM DRAWINGS NO'S
 45° ~ 12387131
 90° ~ 12347129

ADAPTER DATA

ORDER NUMBER	SHELL SIZE	A UNIFIED THD. CLASS 2B	ØB REF.	ØC REF.	ØD REF.	ØE REF.	F REF.	G REF.	ØH MAX.	ØJ MAX.	K MAX.	L REF.	M REF.	N REF.	R REF. FLATS
1	10SL & 12	.625-24	.970	.484	.457	.409	.102	.374	.27	.555	.791	1.179	1.156	1.375	.812
2	14	.750-20	1.030	.608	.520	.441	.075	.232	.41	.618	.804	1.192	1.219	1.437	.875
3	16	.875-20	1.220	.734	.650	.512	.142	.299	.52	.680	.817	1.204	1.281	1.500	1.062
4	18	1.000-20	1.340	.858	.815	.756	.102	.433	.65	.930	.869	1.256	1.531	1.562	1.188
5	20	1.125-18	1.470	.984	.906	.760	.110	.260	.75	.930	.869	1.256	1.531	1.625	1.312
6	22	1.250-18	1.590	1.106	1.012	.866	.110	.260	.88	.992	.882	1.269	1.594	1.687	1.437
7	24	1.375-18	1.720	1.234	1.181	1.118	.094	.464	1.01	1.242	.933	1.321	1.844	1.750	1.562
8	28	1.625-18	1.970	1.429	1.331	1.228	.110	.425	1.13	1.368	.959	1.347	1.969	1.875	1.812
9	32	1.875-16	2.220	1.685	1.622	1.488	.102	.464	1.26	1.618	1.011	1.399	2.219	2.000	2.062
10	36	2.062-16	2.470	N/A	1.878	1.771	N/A	.417	1.38	1.930	1.076	1.463	2.531	2.125	2.312
11	40	2.312-16	2.720	N/A	2.120	2.014	N/A	.417	1.50	2.060	1.128	1.515	2.781	2.375	2.562