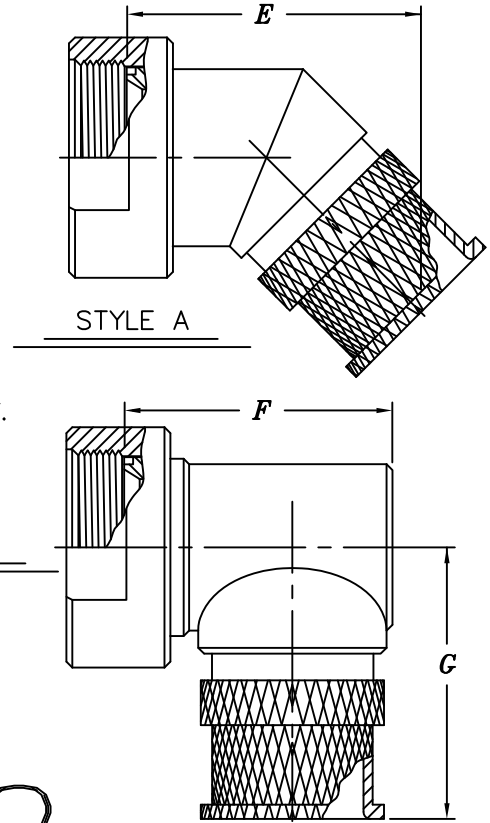
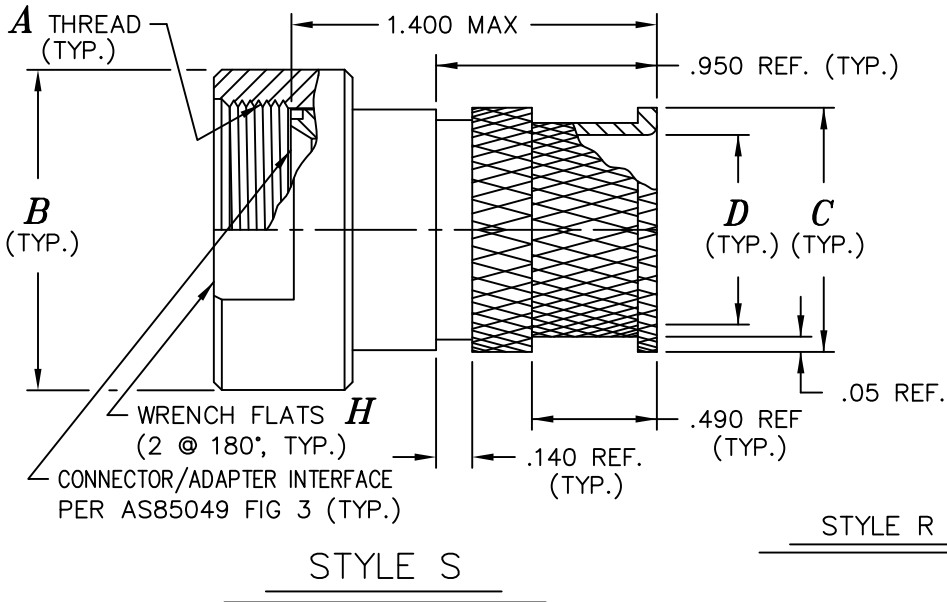




ELECTRO ADAPTER, INC.
 CHATSWORTH, CALIFORNIA, USA 91311
 PHONE: (818) 998-1198
 FAX: (818) 709-5773

SHIELD ADAPTER FOR MIL-DTL-5015,
 MIL-DTL-26482 SERIES 2, MIL-DTL-83723
 SERIES I & III, MIL-C-81703 SERIES III

SPECIFICATION CONTROL DRAWING
 901-424



Example Part Number

901-424S210

BASIC ADAPTER NUMBER

ADAPTER STYLE
 STYLE S = STRAIGHT ADAPTER
 STYLE A = 45° ADAPTER
 STYLE R = 90° ADAPTER

PLATING CODE NUMBER
 10 = PASSIVATE, PER SAE-AMS-QQ-P-35
 12 = BLACK, ZINC NICKEL, TYPE II, CLASS 2
 55 = CADMIUM, OLIVE DRAB, PER SAE AMS-QQ-P-416, TYPE II, CLASS 3,
 OVER ELECTROLESS NICKEL PER AMS-C-26074, CLASS 3 OR 4, GRADE B
 56 = ELECTROLESS NICKEL PER SAE AMS-2404F, CLASS 3 OR 4, GRADE A.
 FOR ADDITIONAL FINISH OPTIONS, SEE CATALOG TABLE 4.

NOTES:

- ASSEMBLY IDENT. PER MIL-STD-1285.
- MATERIAL: COMPONENTS - ALUMINUM ALLOY, 300 SERIES STAINLESS STEEL.
- SEE DRAWING NUMBER 901-436 FOR SHIELD TERMINATION SPRING.

ADAPTER DATA								
ORDER NUMBER	A UNIFIED THD. CLASS 2B	B MAX. DIA.	C MAX. DIA.	D REF DIA.	E REF.	F REF.	G REF.	H ACROSS FLATS
1	.500-20	.78	.53	.25	1.57	.81	1.344	.625
2	.625-24	.91	.61	.31	1.59	.87	1.375	.750
3	.750-20	1.03	.78	.50	1.63	1.06	1.438	.875
4	.875-20	1.16	.84	.56	1.67	1.12	1.500	1.000
5	1.000-20	1.28	.96	.68	1.71	1.25	1.562	1.125
6	1.062-18	1.34	1.04	.75	1.77	1.31	1.594	1.188
7	1.188-18	1.47	1.22	.87	1.81	1.43	1.656	1.312
8	1.312-18	1.59	1.35	1.00	1.84	1.56	1.719	1.438
9	1.438-18	1.72	1.48	1.12	1.90	1.68	1.781	1.562