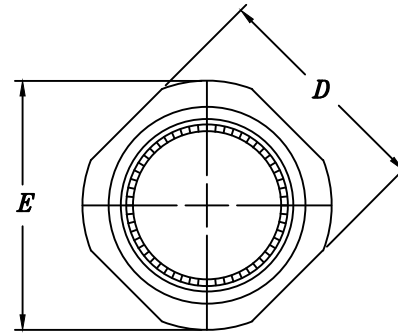
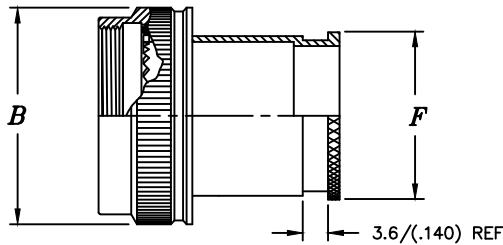


**TYPE 1**  
 STANDARD SPIN COUPLING  
 AND LOW-PROFILE SELF-LOCKING COUPLING

**TYPE 2**  $\triangle 3$



ENTRY CODE "00"  $\triangle 1$  LESS FERRULE AND NUT  
 (SEE EAI DRAWING A265 FOR FERRULE DATA)

CODE 36 & 38  $\triangle 5$

*Example Part Number*

**2654116100855SB**

BASIC  
 ADAPTER  
 NUMBER

ORDER NO.  
 PER TABLE II

O-RING  
 B = BUNA N  
 OMIT FOR SILICONE

TABLE - CONNECTOR CODE

SPECIFICATION	SERIES	CODE NO.
VG 96912	-	29
MIL-DTL-38999	I & II	36 $\triangle 5$
MIL-DTL-38999	III & IV	38 $\triangle 5$
MIL-DTL-38999	III & IV	40
MIL-DTL-38999	I & II	41
LN 29729, PATT 615, PAN 6433-2	-	47
MIL-DTL-5015G	3400	54
PATT 105, PATT 603, PATT 608	-	76

TABLE III  
 CABLE/HARNESS  
 ENTRY DATA  $\triangle 1$

ENTRY ORDER NO.	$\phi Z$	$\phi Y$
	$\pm .015$	REF
0 3	4.0/ (.157)	5.0/ (.196)
0 4	5.5/ (.216)	6.5/ (.255)
0 5	7.5/ (.295)	8.5/ (.334)
0 6	9.5/ (.375)	10.5/ (.413)
0 7	10.5/ (.413)	11.5/ (.452)
0 8	12.5/ (.492)	13.5/ (.531)
0 9	14.0/ (.551)	15.0/ (.590)
1 0	15.5/ (.610)	16.5/ (.649)
1 1	17.0/ (.669)	18.0/ (.708)
1 2	18.5/ (.728)	19.5/ (.767)
1 3	20.0/ (.787)	21.0/ (.826)
1 4	21.5/ (.846)	22.5/ (.885)
1 5	23.0/ (.905)	24.0/ (.944)
1 6	24.0/ (.944)	24.5/ (.965)

MODIFICATION CODE

S = SELF LOCKING ROUND COUPLING.  
 OMIT FOR STANDARD SPIN COUPLING

PLATING CODE NUMBER

55 = CADMIUM, OLIVE DRAB, PER SAE-AMSQQ-P-416,  
 TYPE , CLASS 3, OVER ELECTROLESS NICKEL  
 PER AMS-C-26074, CLASS 3 OR 4, GRADE B  
 56 = ELECTROLESS NICKEL PER SAE-AMS-2404F,  
 WITH IRIDITE CONVERSION  
 FOR ADDITIONAL FINISH OPTIONS, SEE CATALOG, TABLE 4.

LENGTH CODE NUMBER

SELECT LENGTH IN 1/4" INCREMENTS  
 (ie; 08=2.00", 09=2.25", etc.)


L	X
MIN. AVAIL. LENGTH	MIN.
31.8/ (.1.250)	16.5/ (.650)





SEE 278\*\* SERIES IF  
 REQUIRING STRAIN RELIEF CLAMPS  
 USE ENTRY CODE "00" FOR ADAPTER SUPPLIED LESS  
 TERMINATION FERRULE SEE CONFIG. ABOVE.



**TABLE II – CONNECTOR CODE 40**  
**MIL-DTL-38999, SERIES III& IV**

ORDER NO.	SHELL SIZE		<i>A</i> METRIC THD. CLASS 6H	$\phi B$ REF	$\phi F$ REF	MAX ENTRY SIZE TYPE 1
	COM'L.	MIL.				
0 8	9	A	M12 x 1.0	20.6/(.812)	14.3/(.562)	
1 0	11	B	M15 x 1.0	20.6/(.812)	14.3/(.562)	0 4
1 2	13	C	M18 x 1.0	23.8/(.938)	17.5/(.688)	0 6
1 4	15	D	M22 x 1.0	27.0/(1.062)	19.1/(.750)	0 7
1 6	17	E	M25 x 1.0	30.2/(1.188)	23.8/(.938)	1 0
1 8	19	F	M28 x 1.0	33.3/(1.312)	23.8/(.938)	1 0
2 0	21	G	M31 x 1.0	36.5/(1.438)	28.6/(1.125)	1 4
2 2	23	H	M34 x 1.0	39.7/(1.562)	31.8/(1.250)	1 6
2 4	25	J	M37 x 1.0	42.9/(1.688)	31.8/(1.250)	1 6

NOTES:

1. ASSEMBLY IDENT. PER MIL-STD-1285.
2. MATERIAL: COMPONENTS – ALUM. ALLOY  
O’RING – SILICONE
-  TYPE 2 (2 PIECE) CONFIG. SUPPLIED WHEN CABLE ENTRY DIA. EXCEEDS CONN. INSERT DIA..
-  TYPE 2 ONLY.



**TABLE II – CONNECTOR CODE 41**  
**MIL-DTL-38999, SERIES I & II**

ORDER NO.	SHELL SIZE		<i>A</i> UNIFIED THD. CLASS 2B	$\phi B$ REF	$\phi F$ REF	MAX ENTRY SIZE TYPE 1
	SER II	SER I				
0 8	8	9	.438-28	20.6/(.812)	14.3/(.562)	$\triangle_4$
1 0	10	11	.562-24	20.6/(.812)	14.3/(.562)	0 4
1 2	12	13	.688-24	23.8/(.938)	17.5/(.688)	0 6
1 4	14	15	.812-20	27.0/(1.062)	19.1/(.750)	0 7
1 6	16	17	.938-20	30.2/(1.188)	23.8/(.938)	1 0
1 8	18	19	1.062-18	33.3/(1.312)	23.8/(.938)	1 0
2 0	20	21	1.188-18	36.5/(1.438)	28.6/(1.125)	1 4
2 2	22	23	1.312-18	39.7/(1.562)	31.8/(1.250)	1 6
2 4	24	25	1.438-18	42.9/(1.688)	31.8/(1.250)	1 6

NOTES:

1. ASSEMBLY IDENT. PER MIL-STD-1285.
2. MATERIAL: COMPONENTS – ALUM. ALLOY  
 O’RING – SILICONE
- $\triangle_3$  TYPE 2 (2 PIECE) CONFIG. SUPPLIED WHEN CABLE  
 ENTRY DIA. EXCEEDS CONN. INSERT DIA..
- $\triangle_4$  TYPE 2 ONLY.



**TABLE II - CONNECTOR CODE 54**

MIL-DTL-26482, SERIES 2  
 MIL-DTL-5015G, 3400 SERIES  
 MIL-C-81703, SERIES 3  
 MIL-DTL-83723, SERIES I & III  
 NAS1599

ORDER NO.	SHELL SIZE		A UNIFIED THD CLASS 2B	ØB REF	ØF REF	MAX ENTRY SIZE TYPE 1
	△6	△7				
0 3	3	-	.562-24	16.7/(.656)	15.9/(.625)	△4
0 8	-	8,8S	.500-20	15.4/(.607)	15.9/(.625)	△4
1 0	-	10,10S,10SL	.625-24	18.4/(.724)	15.9/(.625)	△4
1 2	7	12,12S	.750-20	21.5/(.848)	15.9/(.625)	0 5
1 4	12	14,14S	.875-20	24.7/(.974)	19.1/(.750)	0 6
1 6	19	16,16S	1.000-20	28.0/(1.102)	19.1/(.750)	0 7
1 8	27	18	1.062-18	30.7/(1.208)	22.2/(.875)	0 8
2 0	37	20	1.188-18	33.9/(1.335)	23.8/(.938)	1 0
2 2	-	22	1.312-18	37.0/(1.458)	28.6/(1.125)	1 4
2 4	-	24	1.438-18	40.2/(1.583)	31.8/(1.250)	1 6
2 8	-	28	1.750-18	49.8/(1.959)	38.1/(1.500)	2 0
3 2	-	32	2.000-18	56.1/(2.209)	38.1/(1.500)	2 0
3 6	-	36	2.250-18	62.4/(2.458)	49.2/(1.938)	2 7
4 0	-	40	2.500-18	68.8/(2.709)	49.2/(1.938)	2 7
4 4	-	44	2.750-18	75.2/(2.959)	49.2/(1.938)	2 7
4 8	-	48	3.000-16	81.5/(3.209)	49.2/(1.938)	2 7
6 1	61	-	1.500-18	41.7/(1.643)	31.8/(1.250)	1 6

NOTES:

- ASSEMBLY IDENT. PER MIL-STD-1285.
- MATERIAL: COMPONENTS - ALUM. ALLOY

△3 TYPE 2 (2 PIECE) CONFIG. SUPPLIED WHEN CABLE ENTRY DIA. EXCEEDS CONN. INSERT DIA..

△4 TYPE 2 ONLY.

△6 SIZES PER MIL-C-81703, SERIES 3.

△7 SIZES PER MIL-DTL-5012 (3400 SERIES), MIL-DTL-26482 (SERIES 2), MIL-DTL-83723 (SERIES I & III), & NAS1599.