

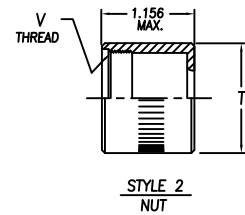
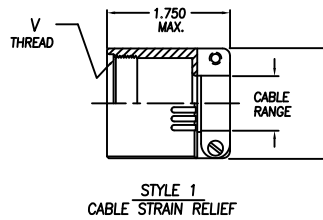
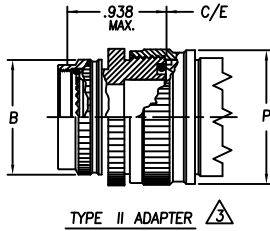
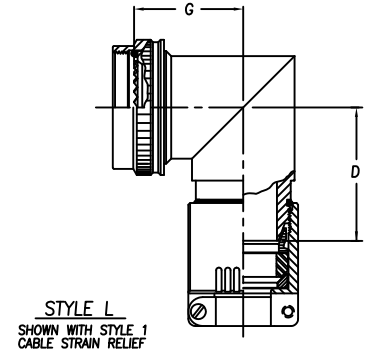
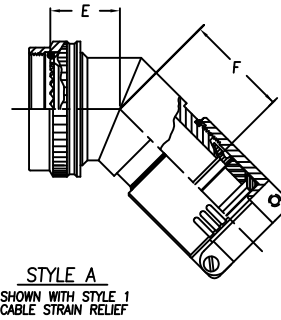
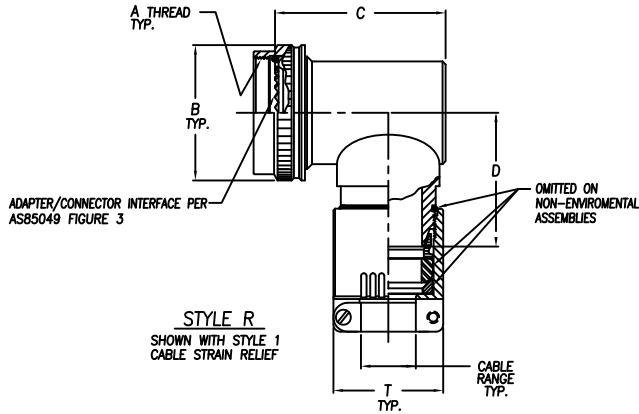


ELECTRO ADAPTER, INC.
 CHATSWORTH, CALIFORNIA, USA 91311
 PHONE: (818) 998-1198
 FAX: (818) 709-5773
 WEB SITE: www.electro-adapter.com

ADAPTER, 45° & 90°, SINGLE CONE,
 STRAIN-RELIEF, EMI/RFI. EMP,
 MIL-DTL-38999 SERIES III & IV
 ENVIRONMENTAL

SPECIFICATION CONTROL DRAWING

23040



Example Part Number

23040A12041S0055

CONNECTOR CODE
 MIL-C-38999, SERIES III & IV

ADAPTER STYLE
 R - 90° ADAPTER LOW-PRO
 A - 45° ADAPTER
 L - 90° ADAPTER

PLATING CODE NUMBER
 55 = CADMIUM, OLIVE DRAB, PER QQ-P-416, TYPE II, CL.3
 OVER ELECTROLESS NICKEL PER MIL-C-26074,
 CLASS 3 OR 4, GRADE B.
 56 = ELECTROLESS NICKEL MIL-C-26074, CL.3 OR 4
 .001 MIN. WITH IRIDITE CONVERSION.
 FOR ADDITIONAL FINISH OPTIONS, SEE CATALOG TABLE 4.

GLAND & O-RING MAT'L. OPTION
 S = SILICONE
 B = BUNA/NEOPRENE
 N = NON-ENVIRONMENTAL

CABLE STRAIN RELIEF
 STYLE 1 OR 2

CONNECTOR ORDER NUMBER										
ORDER NUMBER	SHELL SIZE		A METRIC THD. CLASS 6H	B MAX. DIA.	C MAX. DIA.	D MAX.	E ±.125	F MAX.	G MAX.	MAX. ENTRY TYPE 1
	COM'L.	MIL.								
08	09	A	M12 X 1.0	.703	.938	1.562	.500	1.062	.781	04
10	11	B	M15 X 1.0	.827	1.125	1.625	.500	1.094	.844	06
12	13	C	M18 X 1.0	.953	1.188	1.688	.562	1.125	.906	08
14	15	D	M22 X 1.0	1.077	1.312	1.750	.562	1.188	.969	10
16	17	E	M25 X 1.0	1.203	1.438	1.812	.594	1.188	1.031	12
18	19	F	M28 X 1.0	1.327	1.500	1.875	.625	1.188	1.094	14
20	21	G	M31 X 1.0	1.453	1.625	1.938	.688	1.219	1.156	16
22	23	H	M34 X 1.0	1.577	1.750	2.000	.656	1.250	1.219	18
24	25	J	M37 X 1.0	1.703	1.875	2.062	.688	1.250	1.281	20

ENTRY ORDER NUMBER					
ENTRY ORDER NUMBER	V UNIFIED THD. CLASS 2A	CABLE RANGE		ø T MAX.	ø P MAX.
		MAX.	MIN.		
04	.625-24	.250	.125	.875	N/A
06	.750-20	.375	.219	1.000	.858
08	.875-20	.500	.344	1.125	.984
10	1.000-20	.625	.469	1.250	1.112
12	1.125-18	.750	.594	1.375	1.345
14	1.250-18	.875	.719	1.500	1.345
16	1.375-18	1.000	.844	1.625	1.469
18	1.500-18	1.125	.969	1.750	1.594
20	1.625-16	1.250	1.094	1.875	1.969

NOTES: UNLESS OTHERWISE SPECIFIED

- ASSEMBLY IDENTIFICATION PER MIL-STD-1285.
- MATERIAL: ADAPTER COMPONENTS - ALUMINUM ALLOY
HARDWARE - SST.
- A TWO PIECE ADAPTER WILL BE SUPPLIED WHEN CABLE ENTRY EXCEEDS CONNECTOR INTERFACE DIA.
- IF A STRAIGHT ADAPTER IS REQUIRED SEE EAI CATALOG SHEET E**17.
- REF 45° ~ AS85049/78
REF 90° ~ AS85049/79